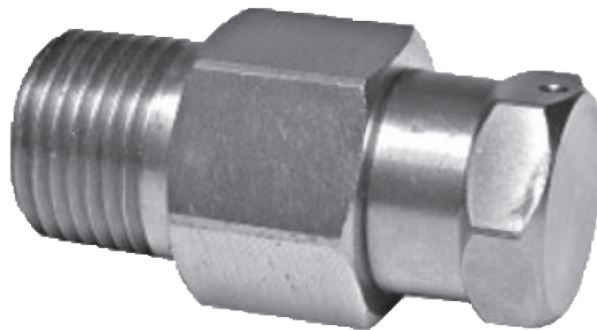


April 2021

# Spence™ Type VB Vacuum Breakers



*Figure 1. Type VB Vacuum Breaker*

## Features

- Prevents possible equipment damage
- Improves system efficiency
- Maintenance-free operation
- Easy installation

## Introduction

The Type VB vacuum breaker is a simple device, which provides a dependable means of relieving an unwanted vacuum condition. The rugged brass body construction provides for long life. With three different NPT sizes available, installation is simple.

# Type VB

---

## Specifications

The Specifications section gives some general specifications for the Type VB vacuum breaker. The nameplates give detailed information for a specific vacuum breaker as built in the factory.

---

**Body Sizes**

NPS 1/8, 1/2 and 3/4 / DN 6, 15 and 20

**End Connection Style**

NPT

**Maximum Inlet Pressure<sup>(1)</sup>**

125 psig / 8.6 barg

**Maximum Inlet Temperature<sup>(1)</sup>**

350°F / 177°C

**Break Point Pressure<sup>(1)</sup>**

Horizontal: 0.36 psi / 0.02 bar

Vertical: 0.36 psi / 0.02 bar

**Applications**

Condensate Lines  
Heating Coils  
Heat Exchangers  
Jacketed Kettles  
Make-Up Air Coils  
One Pipe Steam Non-Electric Valves  
Steam Boilers  
Storage Heaters  
Steam Mains  
Textile Dry Cans  
Unit Heaters

---

1. The pressure/temperature limits in this Bulletin and any applicable standard or code limitation should not be exceeded.

---

## Principle of Operation

If the vacuum increases (decrease in absolute pressure) beyond the setpoint, the vacuum breaker opens. A soft resilient Ethylene Propylene Diene Monomer (EPDM) seat provides quiet opening and closing. This combined with the internal spring prevents “chatter” when the valve is operating.

## Installation

Always install the Type VB in a vertical position with the system connection on the bottom.

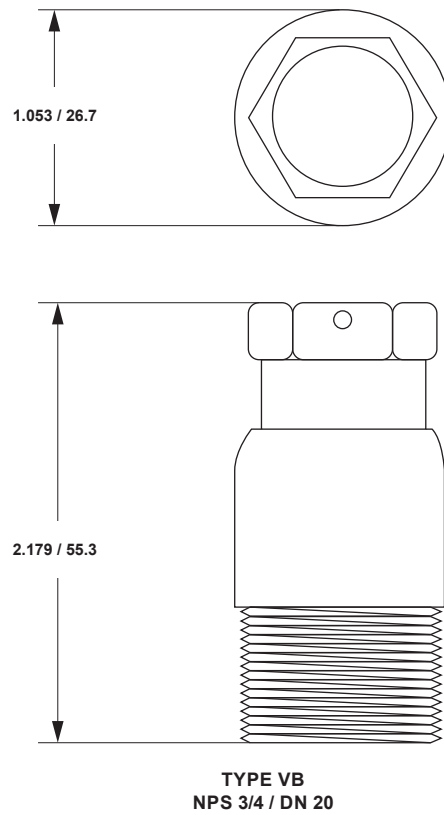
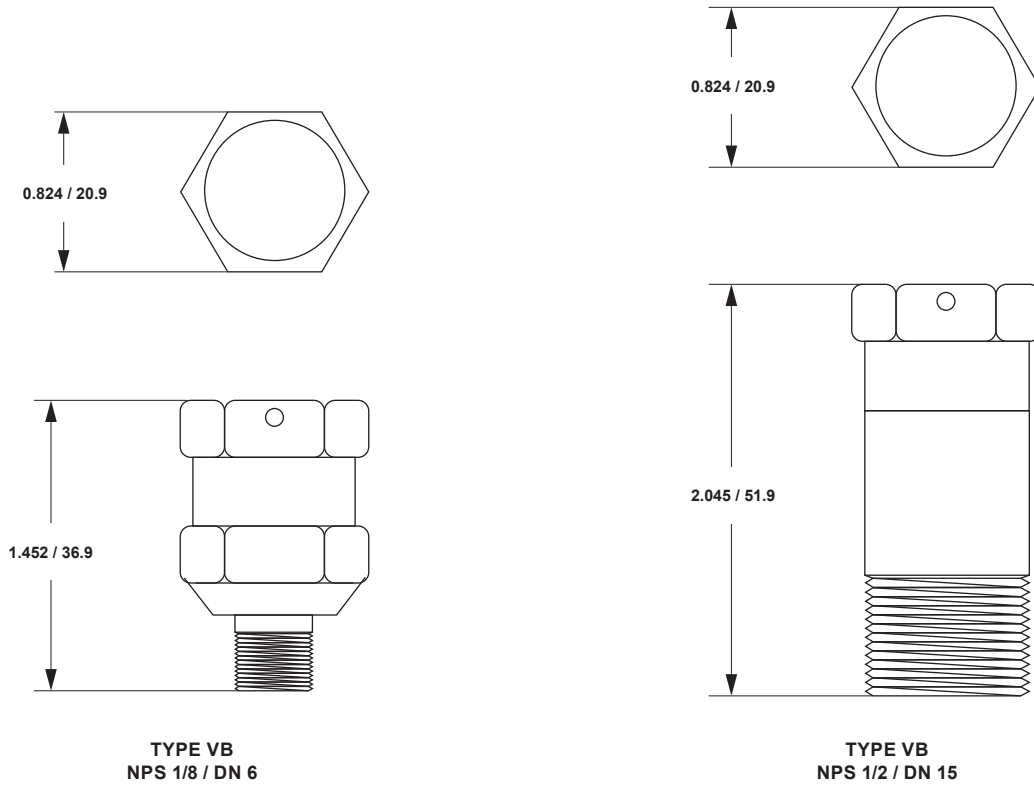
## Ordering Information

When ordering, complete the ordering guide on this page. Refer to the Specifications section. Review the description to the right of each specification and the information in each referenced table or figure. Specify your choice whenever a selection is offered.

## Ordering Guide

**Body Sizes** (Select One)

- NPS 1/8 / DN 6
- NPS 1/2 / DN 15
- NPS 3/4 / DN 20



IN. / mm

Figure 2. Type VB Vacuum Breaker Dimension

# Type VB

---

 [SpenceValve.com](https://www.SpenceValve.com)

## Emerson

### Americas

McKinney, Texas 75069 USA  
T +1 800 558 5853  
+1 972 548 3574

### Europe

Bologna 40013, Italy  
T +39 051 419 0611

### Asia Pacific

Singapore 128461, Singapore  
T +65 6777 8211

### Middle East and Africa

Dubai, United Arab Emirates  
T +971 4 811 8100

VCBUL-16355-EN © 2021, 2026 Emerson Electric Co. All rights reserved 03/26. Spence is a mark owned by a subsidiary of Emerson Electric Co. The Emerson logo is a trademark and service mark of Emerson Electric Co. All other marks are property of their respective owners.

Neither Emerson nor any of its affiliated entities assume responsibility for the selection, use or maintenance of any product. Responsibility for proper selection, use, and maintenance of any product remains solely with the purchaser and end user.

The contents of this publication are presented for informational purposes only, and while every effort has been made to ensure their accuracy, they are not to be construed as warranties or guarantees, express or implied, regarding the products or services described herein or their use or applicability. All sales are governed by our terms and conditions, which are available upon request. We reserve the right to modify or improve the designs or specifications of such products at any time without notice.

