

Spence™ Type K3 Control Valve



Figure 1. Type K3 Control Valve

Introduction

Type K3 control valve is designed for economical control of steam, water, gas and process applications in typical institutional, commercial and industrial

processes. Type K3 is a three-way valve available with either a direct or reverse acting actuator that meets most mixing or diverting application requirements.

Type K3

Specifications

This section lists the specifications for the Type K3. Factory specifications are stamped on the nameplate fastened on the control valve at the factory.

Control Valve Type

Type K3: Three-way valve with union ends and pneumatic actuator

Control Valve Sizes

NPS 1/2, 3/4, 1, 1-1/4, 1-1/2 and 2 /
DN 15, 20, 25, 32, 40 and 50

Pressure and Temperature Chart⁽¹⁾

See Figure 2

Control Pressure Capabilities⁽¹⁾

3 to 15 psi / 0.21 to 1.03 bar

End Connection Style

NPT Union

Maximum Rated Flow Coefficient, C_v

NPS 1/2 / DN 15: 5.6

NPS 3/4 / DN 20: 7.1

NPS 1 / DN 25: 9.2

NPS 1-1/4 / DN 32: 22

NPS 1-1/2 / DN 40: 28

NPS 2 / DN 50: 35

Construction Materials

Body: Bronze

Seat: Stainless steel

Plug, Stem and Stem Assembly: Stainless steel

Stem Guide: Stainless steel, Monel or Brass

Actuator Casing: Steel

Actuator Spring: Steel Wire

Diaphragm: Nitrile (NBR)

Yoke: Ductile iron

Options

36 or 60 sq. in. / 0.02 or 0.04 sqm actuators

Electric Actuator

Applicable Codes

Meets or exceeds ANSI B16.15 Class 250

ANSI/FCI 70-2 Class IV Seat Leakage

Article 3, Section 3 of the
Pressure Equipment Directive.

1. The pressure/temperature limits in this Bulletin and any applicable standard or code limitation should not be exceeded.

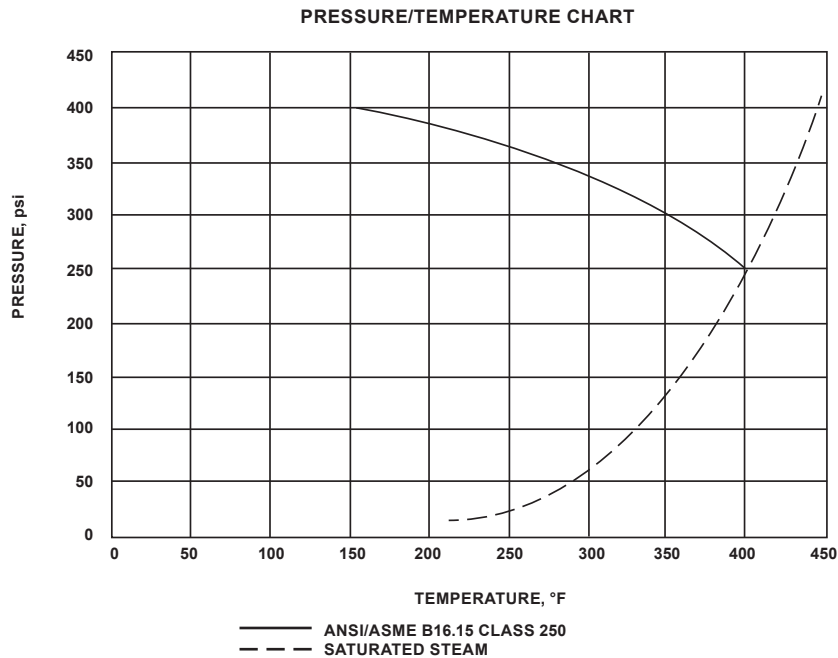


Figure 2. Type K3 Pressure and Temperature Chart

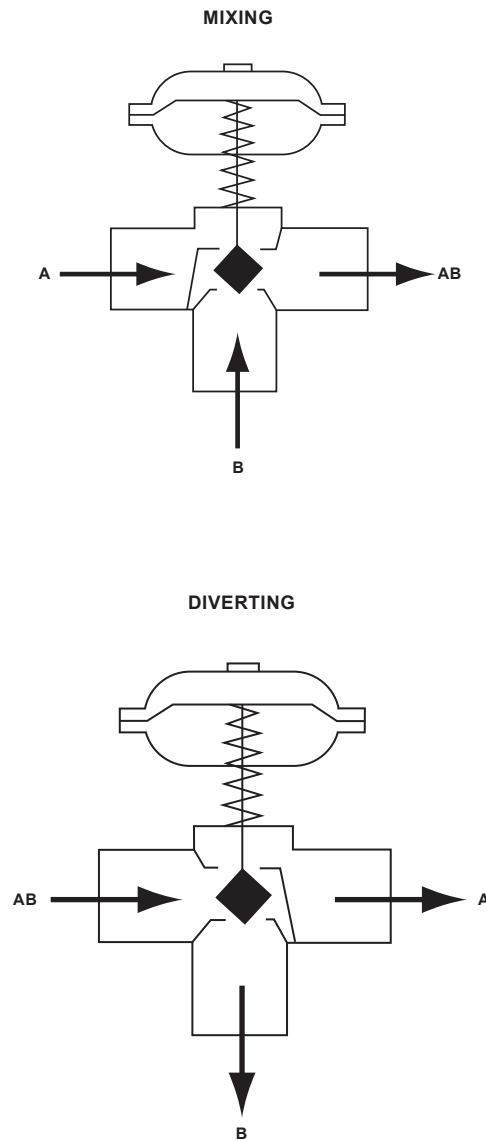


Figure 3. Fluid Flow Direction for Mixing and Diverting Service

Principle of Operation

Type K3 valve is a three-way, universal construction, globe style, pneumatic diaphragm control valve. The pneumatic actuator can be arranged as direct or reverse acting.

When selecting a direct acting actuator, upper port is failed closed on air loss. When selecting a reverse

acting actuator, the lower port is failed closed on air loss. When used for mixing, the forces developed by the two inlet flows oppose each other and create a balanced environment. Thus, the actuator can control the flow efficiently without power lost to overcome dynamic unbalance. When using the valve for diverting service, simply reverse the valve installation.

Type K3

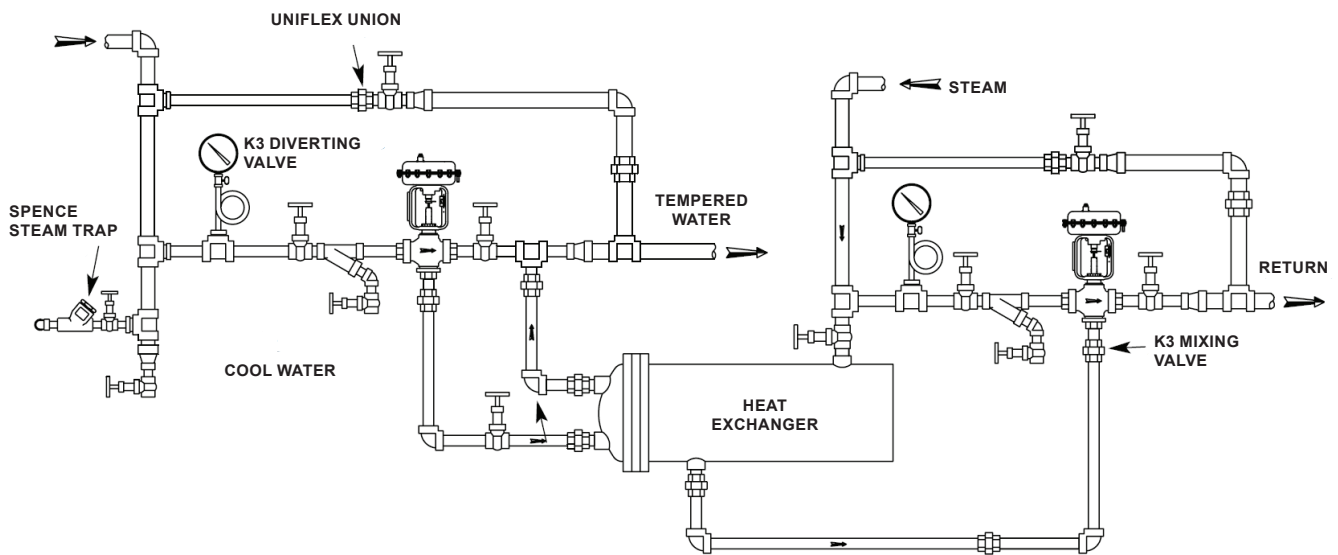


Figure 4. Type K3 Control Valve Recommended Installation for Steam Application

Installation



WARNING

Always wear protective gloves, clothing and eyewear when performing any maintenance operations to avoid personal injury.

Personal injury or equipment damage caused by sudden release of pressure might result if the valve assembly is installed where service conditions could exceed the limits. To avoid such injury or damage, provide a relief valve for overpressure protection as required by government or accepted industry codes and good engineering practices.

Check with your process or safety engineer for any additional measures that must be taken to protect against process media.

- Locate the valve in a straight run of horizontal pipe as shown in Figure 4. Mount the valve with the actuator in the upright position. Allow room for removal of the actuator.
- Prevent pipeline hammering in compressible fluid service by providing proper drainage before and after the valve.
- Avoid damaging effects of scale and dirt in pipelines by using a strainer.
- A three-valve by-pass to facilitate inspection and maintenance without interrupting service is recommended.
- To eliminate excessive noise with steam and other compressible fluids, enlarge the delivery pipe size to allow a reasonable flow velocity at the reduced pressure. A concentric transition is recommended.
- If possible, avoid sharp turns close to the valve.
- Install upstream and downstream pressure gauges to indicate performance.
- If the rating of the delivery system or connected equipment is less than the initial pressure, provide a safety relief valve.

Table 1. Type K3 Shutoff Value

SIZE		ACTUATOR SIZE	BENCH RANGE ⁽¹⁾ , psi	ACTUATOR	REVERSE SHUTOFF ⁽¹⁾ , psid	BENCH RANGE ⁽²⁾ , psi	ACTUATOR CODE	DIRECT SHUTOFF ⁽²⁾ , psid
NPS	DN				3 to 15 psi / 0.21 to 1.03 bar			3 to 15 psi / 0.21 to 1.03 bar
1/2	15	36 sq. in. / 0.02 sqm	5.5 to 12.5	RA	125	4.5 to 13.5	DM	85
			6.5 to 11.5	RB	175	6 to 12	DA	175
			8 to 11	RC	250	----	----	----
3/4	20	36 sq. in. / 0.02 sqm	5.5 to 12.5	RA	125	4.5 to 13.5	DM	85
			6.5 to 11.5	RB	175	6 to 12	DA	175
			8 to 11	RC	250	----	----	----
1	25	36 sq. in. / 0.02 sqm	5.5 to 12.5	RA	75	4.5 to 13.5	DM	60
			6.5 to 11.5	RB	125	6 to 12	DA	125
			8 to 11	RC	200	----	----	----
1-1/4	32	36 sq. in. / 0.02 sqm	5.5 to 12.5	RC	60	6 to 12	DC	80
			7.5 to 10.5	RE	110	7 to 11	DD	100
		60 sq. in. / 0.04 sqm	7.5 to 12	RG	200	7 to 11	DG	175
			8 to 11	RH	225	----	----	----
1-1/2	40	36 sq. in. / 0.02 sqm	5.5 to 12.5	RC	50	6 to 12	DC	60
			7.5 to 10.5	RE	85	7 to 11	DD	75
		60 sq. in. / 0.04 sqm	7.5 to 12	RG	125	7 to 11	DG	135
			8 to 11	RH	175	----	----	----
2	50	36 sq. in. / 0.02 sqm	5.5 to 12.5	RC	35	6 to 12	DC	45
			7.5 to 10.5	RE	70	7 to 11	DD	60
		60 sq. in. / 0.04 sqm	7.5 to 12	RG	75	7 to 11	DG	100
			8 to 11	RH	125	----	----	----

1. Lower Part (B) - Fail Closed
2. Upper Part (A) - Fail Closed.

Table 2. Type K3 C_v

PERCENT OF TRAVEL				Port	0	10	20	30	40	50	60	70	80	90	100
Valve Size		Travel			C _v										
NPS	DN	In.	mm												
1/2	15	7/32	5.56	Lower	0	0.9	1.9	2.7	3.6	4.3	4.8	5.2	5.3	5.35	5.4
				Upper	5.6	5.55	5.5	5.3	4.9	4.5	3.9	3.1	2.2	1.2	0
3/4	20	7/32	5.56	Lower	0	0.9	2	3	4	4.9	5.5	6	6.2	6.3	6.4
				Upper	7.1	7	6.9	6.5	5.9	5.2	4.4	3.4	2.3	1.2	0
1	25	7/32	5.56	Lower	0	0.8	1.7	2.9	4	5.3	6.2	7.2	7.8	8.4	8.7
				Upper	9.2	8.5	7.9	7.1	6.2	5.3	4.2	3.2	2.1	1.1	0
1-1/4	32	1/2	12.7	Lower	0	2.7	6.2	10.2	15	18.8	20	20.8	21.2	21.6	22
				Upper	19.5	19	18.5	17.5	15.5	13.5	11	8	5	2.5	0
1-1/2	40	1/2	12.7	Lower	0	2	6	11	16	20	22.5	24.5	26	27	28
				Upper	24	23	22	20	18	15	12	9	6	2.7	0
2	50	1/2	12.7	Lower	0	2.2	5.7	10.9	16	21	24	27.4	30	32	34
				Upper	35	32.4	30	27	23.5	20	16	12	8	4	0

Type K3

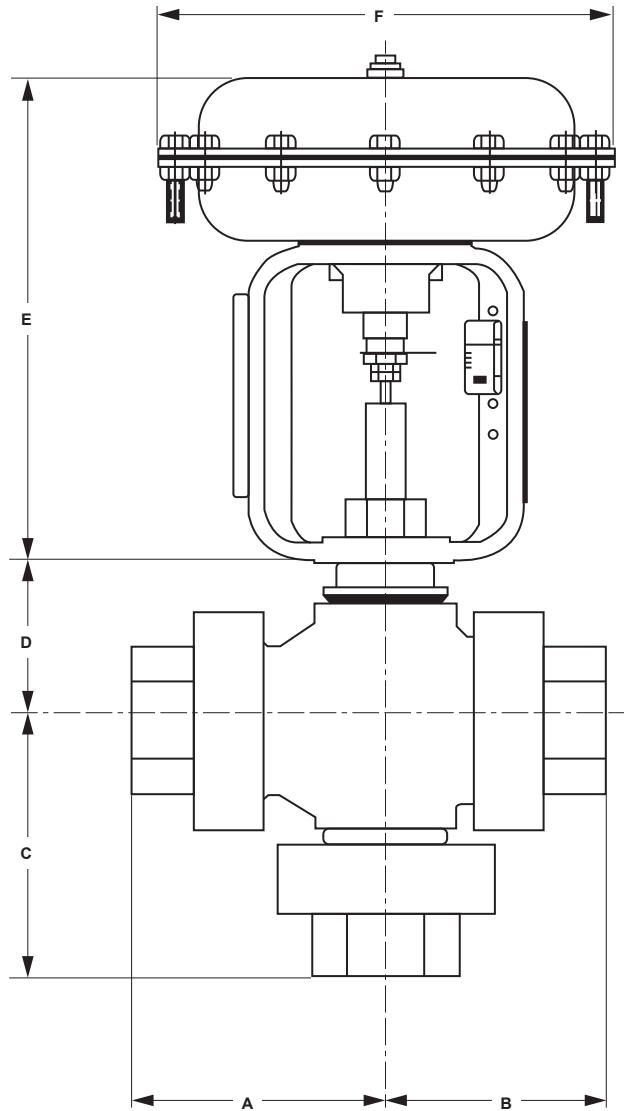


Figure 5. Type K3 Dimension

Table 3. Type K3 Dimension

VALVE SIZE		A		B		C		D		E				F				WEIGHT			
										36 sq. in. / 0.02 sqm		60 sq. in. / 0.04 sqm		36 sq. in. / 0.02 sqm		60 sq. in. / 0.04 sqm		36 sq. in. / 0.02 sqm		60 sq. in. / 0.04 sqm	
NPS	DN	In.	mm	In.	mm	In.	mm	In.	mm	In.	mm	In.	mm	In.	mm	In.	mm	lbs	kg	lbs	kg
1/2 to 3/4	15 to 20	3-5/8	92	3-5/16	84	4-1/8	105	2-7/8	73	9-7/8	251	----	----	9-1/4	235	----	----	28	12.7	41	18.6
1	25	3-5/8	92	3-5/16	84	4-1/8	105	2-7/8	73	9-7/8	251	----	----	9-1/4	235	----	----	27	12.3	40	18.2
1 1/4	32	4-11/16	119	4-1/8	105	4-22/32	119	3-3/32	79	9-7/8	251	11-3/4	298	9-1/4	235	11-1/4	286	35	15.9	48	21.8
1 1/2	40	4-11/16	119	4-1/8	105	4-22/32	119	3-3/32	79	9-7/8	251	11-3/4	298	9-1/4	235	11-1/4	286	37	16.8	50	22.7
2	50	4-7/8	124	4-3/16	106	4-29/32	125	3-3/32	79	9-7/8	251	11-3/4	298	9-1/4	235	11-1/4	286	42	19.1	55	25

Ordering Information

When ordering, complete the ordering guide on this page. Refer to the Specifications section on page 2.

Review the description to the right of each specification and the information in each referenced table or figure. Specify your choice whenever a selection is offered.

Ordering Guide

Body Size (Select One)

- NPS 1/2 / DN 15
- NPS 3/4 / DN 20
- NPS 1 / DN 25
- NPS 1-1/4 / DN 32
- NPS 1-1/2 / DN 40
- NPS 2 / DN 50

Options

- 36 sq. in. / 0.02 sqm actuators
- 60 sq. in. / 0.04 sqm actuators
- Electric Actuator

Type K3

 [SpenceValve.com](https://www.SpenceValve.com)

Emerson

Americas

McKinney, Texas 75069 USA
T +1 800 558 5853
+1 972 548 3574

Europe

Bologna 40013, Italy
T +39 051 419 0611

Asia Pacific

Singapore 128461, Singapore
T +65 6777 8211

Middle East and Africa

Dubai, United Arab Emirates
T +971 4 811 8100

VCBUL-15907-EN © 2021, 2026 Emerson Electric Co. All rights reserved 03/26. Spence is a mark owned by a subsidiary of Emerson Electric Co. The Emerson logo is a trademark and service mark of Emerson Electric Co. All other marks are property of their respective owners.

Neither Emerson nor any of its affiliated entities assume responsibility for the selection, use or maintenance of any product. Responsibility for proper selection, use, and maintenance of any product remains solely with the purchaser and end user.

The contents of this publication are presented for informational purposes only, and while every effort has been made to ensure their accuracy, they are not to be construed as warranties or guarantees, express or implied, regarding the products or services described herein or their use or applicability. All sales are governed by our terms and conditions, which are available upon request. We reserve the right to modify or improve the designs or specifications of such products at any time without notice.

