

**NICHOLSON**  
STEAM TRAP

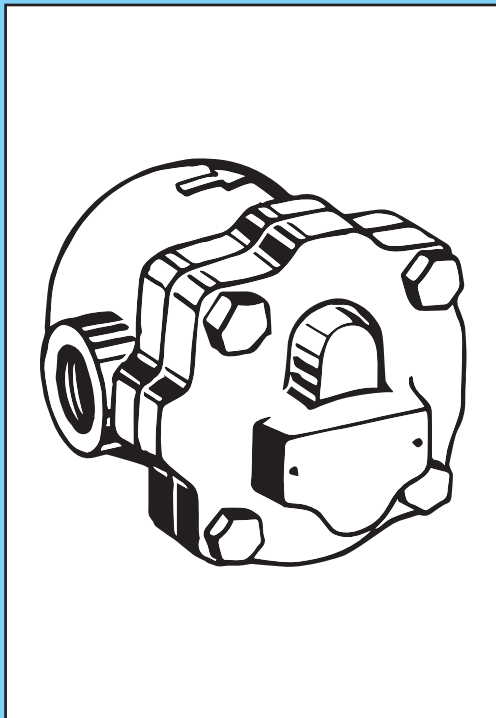


**DURA-FLO  
INVERTED BUCKET  
STEAM TRAP**

**Emerson Automation Solutions**  
SpenceEngineering.com  
T +1 845-778-5566 | F +1 845-778-7123

VCPDS-15091

0011511/0012



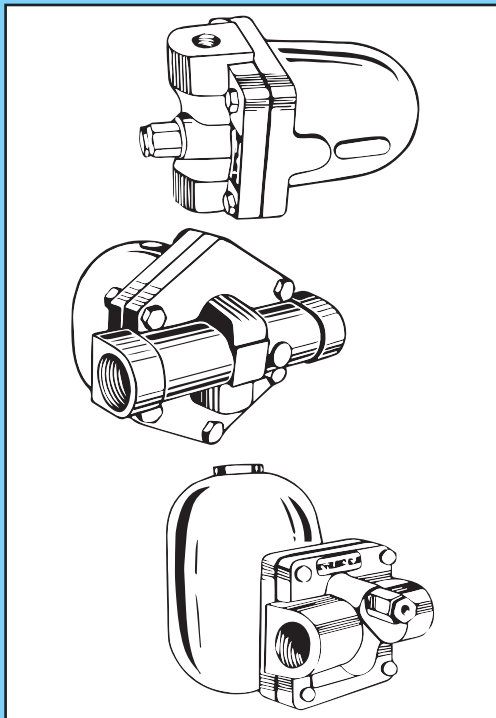
**NICHOLSON** **SPENCE**  
STEAM TRAP

**FLOATING &  
THERMOSTATIC (F&T)  
STEAM TRAP  
TYPE FTE 14**

**Emerson Automation Solutions**  
SpenceEngineering.com  
T +1 845-778-5566 | F +1 845-778-7123

VCPDS-15091

0011511/0012



**NICHOLSON** **SPENCE**  
STEAM TRAP

**FLOATING &  
THERMOSTATIC  
(F&T) STEAM TRAP  
TYPE FTE 10**

**Emerson Automation Solutions**  
SpenceEngineering.com  
T +1 845-778-5566 | F +1 845-778-7123

VCPDS-15091

0011511/0012

VCPDS-15091

**NICHOLSON**  
STEAM TRAP



**DURA-FLO PCA KIT**

PART NO. :

PCA NO. :

NICHOLSON :

ARMSTRONG :

**Emerson Automation Solutions**

SpenceEngineering.com

T +1 845-778-5566 | F +1 845-778-7123

VCPDS-15091

**NICHOLSON**  
STEAM TRAP



**FTE PCA KIT**

PART NO. :

DP :

NICHOLSON :

MODEL

**Emerson Automation Solutions**

SpenceEngineering.com

T +1 845-778-5566 | F +1 845-778-7123

**NICHOLSON**  
STEAM TRAP



**AIR VENT & LIQUID DRAINER**

Part No. \_\_\_\_\_

Product	Size	$\Delta P$
<input type="checkbox"/> NAV AIR VENT	<input type="checkbox"/> 1/2" x 1/2"	<input type="checkbox"/> 175 PSI
<input type="checkbox"/> NLD LIQUID DRAINER	<input type="checkbox"/> 3/4" x 1/2"	<input type="checkbox"/> 300PSI
		<input type="checkbox"/> 400 PSI

**Emerson Automation Solutions**

SpenceEngineering.com

T +1 845-778-5566 | F +1 845-778-7123

**NICHOLSON**  
STEAM TRAP



**NTD 600  
Thermodynamic Trap  
600 PSI Max**

3/8"  1/2"  3/4"  1"

P/N - NTD 600 - N1B9A

Date Code

**Emerson Automation Solutions**  
SpenceEngineering.com  
T +1 845-778-5566 | F +1 845-778-7123

VCPDS-15091

0028241/0205

**NICHOLSON**  
STEAM TRAP



**NTD 600  
Thermodynamic Trap  
600 PSI Max**

3/8"  1/2"  3/4"  1"

P/N - NTD 600 - N1C9A

Date Code

**Emerson Automation Solutions**  
SpenceEngineering.com  
T +1 845-778-5566 | F +1 845-778-7123

VCPDS-15091

0028241/0205

**NICHOLSON**  
STEAM TRAP



**NTD 600  
Thermodynamic Trap  
600 PSI Max**

3/8"  1/2"  3/4"  1"

P/N - NTD 600 - N1D9A

Date Code

**Emerson Automation Solutions**  
SpenceEngineering.com  
T +1 845-778-5566 | F +1 845-778-7123

VCPDS-15091

0028241/0205

**NICHOLSON**  
STEAM TRAP



**NTD 600  
Thermodynamic Trap  
600 PSI Max**

3/8"  1/2"  3/4"  1"

P/N - NTD 600 - N1E9A

Date Code

**Emerson Automation Solutions**  
SpenceEngineering.com  
T +1 845-778-5566 | F +1 845-778-7123

VCPDS-15091

0028241/0205

**NICHOLSON**  
STEAM TRAP



**NTD 600  
Thermodynamic Trap  
600 PSI Max**

3/8"  1/2"  3/4"  1"

P/N -

Date Code

**Emerson Automation Solutions**  
SpenceEngineering.com  
T +1 845-778-5566 | F +1 845-778-7123

VCPDS-15091

0028241/0205

**NICHOLSON**  
STEAM TRAP



**NTD 600  
Thermodynamic Trap  
600 PSI Max**

3/8"  1/2"  3/4"  1"

P/N -

Date Code

**Emerson Automation Solutions**  
SpenceEngineering.com  
T +1 845-778-5566 | F +1 845-778-7123

VCPDS-15091

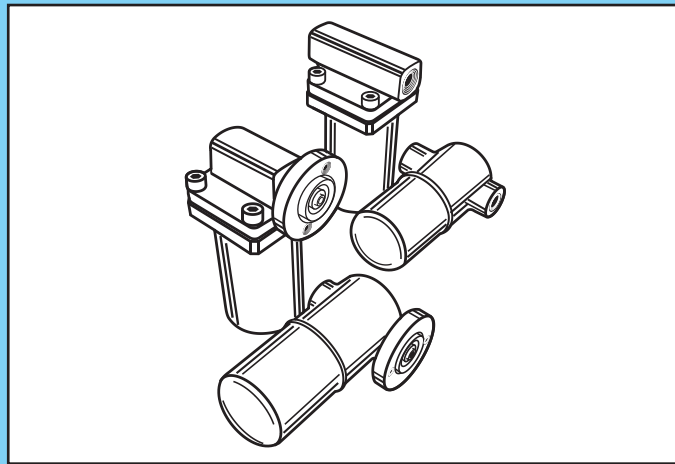
0028241/0205

VCPDS-15091

**NICHOLSON**  
STEAM TRAP



## STAINLESS STEEL DURA-FLO INVERTED BUCKET TRAP



P/N \_\_\_\_\_ Date Code \_\_\_\_\_

**SIZE** :  3/8"     1/2"     3/4"     1"  
**MODEL** :  TSBT-LS     TSBT-MS     TSBT-HS     USBT-LS     USBT-MS     USBT-LS  
           TSBT-LR     TSBT-MR     TSBT-HR     USBT-LR     USBT-MR     USBT-LR  
**ΔP MAX.** :  15         30         40         70         80         125  
              200        250        300        400        650      

**Emerson Automation Solutions**  
SpenceEngineering.com  
T +1 845-778-5566 | F +1 845-778-7123